

HammerHead

XT

POSITIONER
SERIES



Extra-high-torque miniature pan-and-tilt positioner

Features

- ▶ Ultra-compact pan-and-tilt positioner with absolute position feedback
- ▶ Variable-speed brushless motors give unlimited rotation in both axes
- ▶ Corrosion-resistant 316 stainless steel, 6061-T6 (AHC black) aluminum or titanium grade 5 housing
- ▶ Rated to 1,000 m (3,300 ft) air-filled or to 6,000 m (20,000 ft) pressure-balanced and oil-filled
- ▶ Multi-drop RS232 or RS485 control with soft-addressing allows up to 254 units on a single serial port
- ▶ ASCII protocol and Windows GUI
- ▶ User-settable soft-stops
- ▶ Wide input supply
- ▶ Built-in "go-to" positioning functions with user presets
- ▶ Also available as a single-axis rotator

Technical specifications on reverse.

Arctic Rays specializes in deep-sea lighting and imaging systems and other custom solutions specifically for use on AUVs, ROVs, manned submersibles and other offshore and underwater structures.

Think deep.

arcticrays.com • 1.321.610.4635



ARCTIC RAYS
SUBSEA TECHNOLOGIES

HammerHead XT

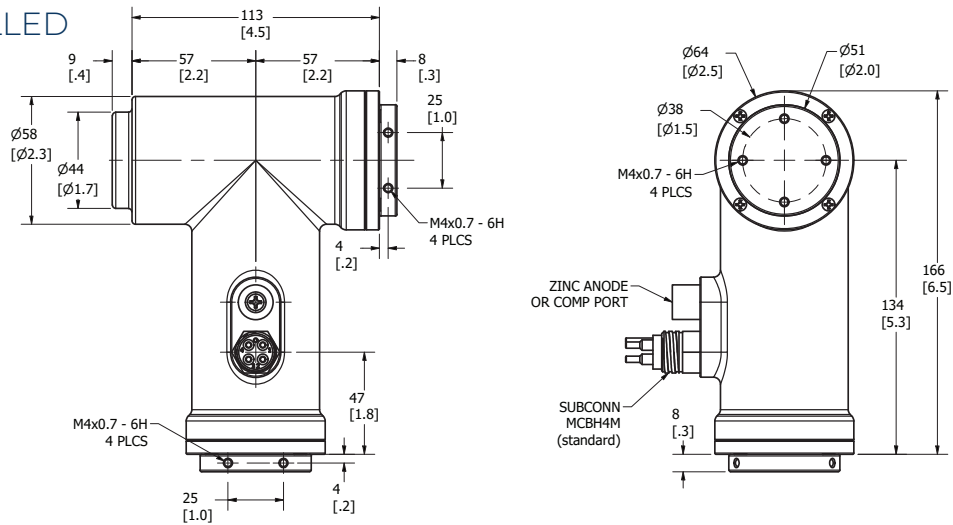
Technical Specifications

PARAMETER	SPECIFICATION						
Model Number	AR 302						
MECHANICAL							
Axes	Two, independent orthogonal						
Rated Torque (per axis @ 24 V)	13.6 N-m (10 ft-lbs)						
Rotation Range	Unlimited (360° continuous); internal soft limits may be set by user commands.						
Speed Range (no load)	3–30%/sec. (0.5–5 RPM)						
Speed Control	Proportional; 0–100% in 1% increments						
Maximum Payload	10 kg (22 lbs); consult factory for mounting recommendations						
Position Feedback	Absolute digital; resolution: 12-bit (0.1°)						
Gearbox Type	Planetary						
Backlash	60 arc-min (1.0°) standard; backlash is reported by encoders						
Braking	Electronic						
Housing Materials	6061-T6 aluminum (AHC black), 316 stainless steel or titanium grade 5						
Weights (in kg)		AIR-FILLED		PBOF COMP		INTERNAL COMP	
		AIR	SW	AIR	SW	AIR	SW
	AL	1.64	0.87	2.00	1.12	1.93	1.15
	SS	2.90	2.14	3.27	2.38	3.34	2.56
	TI	2.39	1.63	2.76	1.88	2.68	1.90
ELECTRICAL							
Voltage	10–40 VDC standard						
Current Draw (per axis @ 24 V)	No load: 150 mA; rated load: 750 mA, limit: 850 mA						
INTERFACE							
Connector	Subconn MCBH4M standard						
Control	Multidrop RS232 or RS485 (2-wire) serial; 254 soft addresses						
Positioning Methods	Go-to absolute, go-to preset, user-defined (speed commands)						
Pressure Compensation (oil-filled only)	Integral PBOF tube, internal compensation or external port						
ENVIRONMENTAL							
Depth Rating	1,000 m (3,300 ft) air-filled; 6,000 m (20,000 ft) oil-filled						
Temperatures	-10°C to 45°C operating; -10°C to 60° C storage						

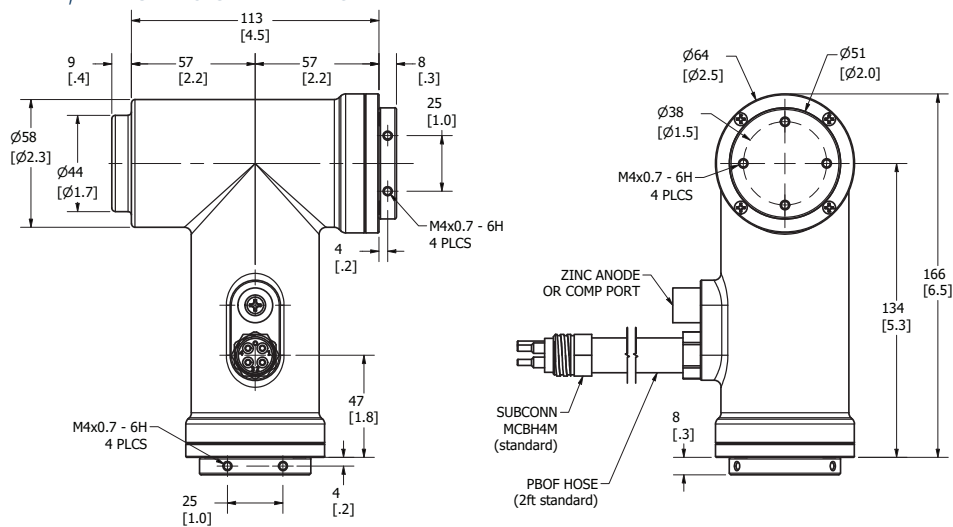
HammerHead XT

Mechanical Drawings

AIR-FILLED



OIL-FILLED, PBOF COMPENSATED



OIL-FILLED, INTERNALLY COMPENSATED

